

QUICK START GUIDE

55" Clean Back Digital Signage.

Copyright © DynaScan Technology Inc. All rights reserved.



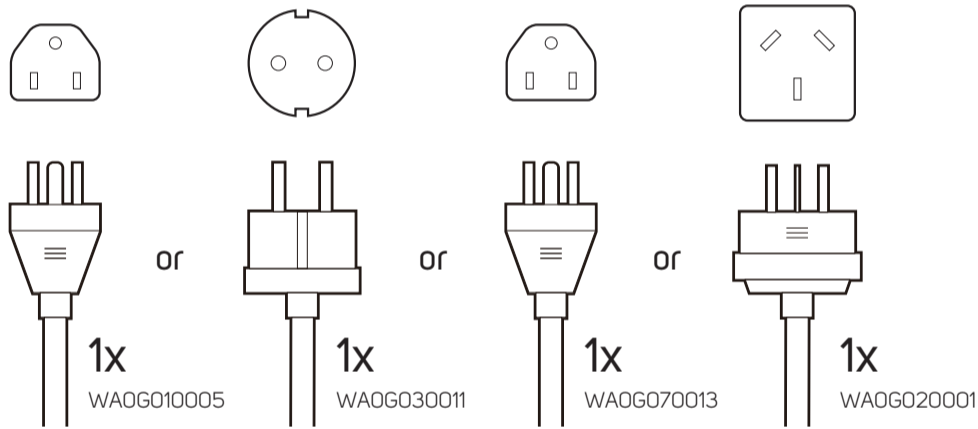
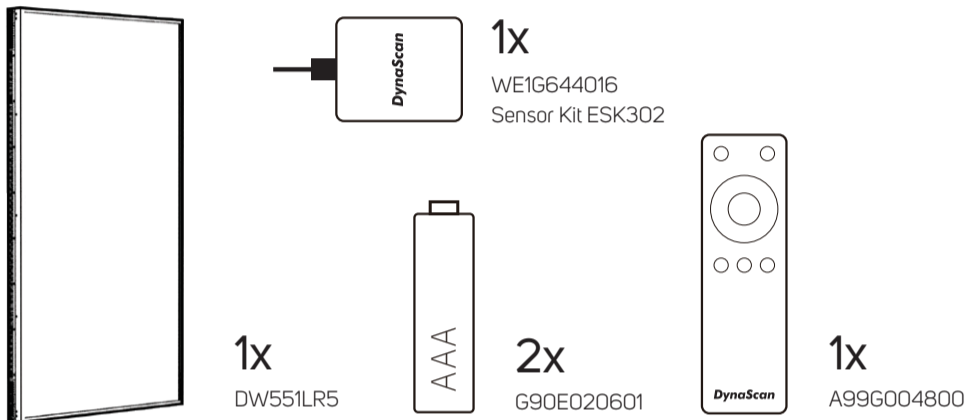
WARRANTY POLICY

Please visit our website to get more information.
<http://www.dynascan.com/support/warranty/>

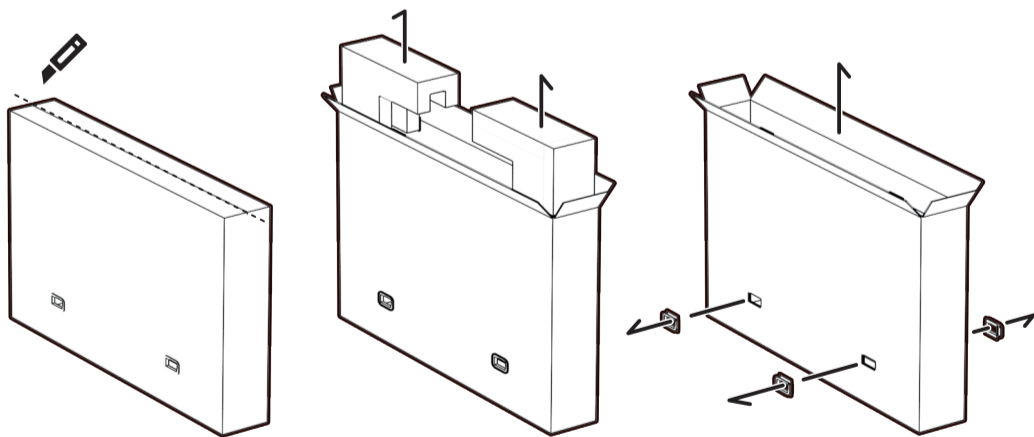
DynaScan

A11G034702 V1.30

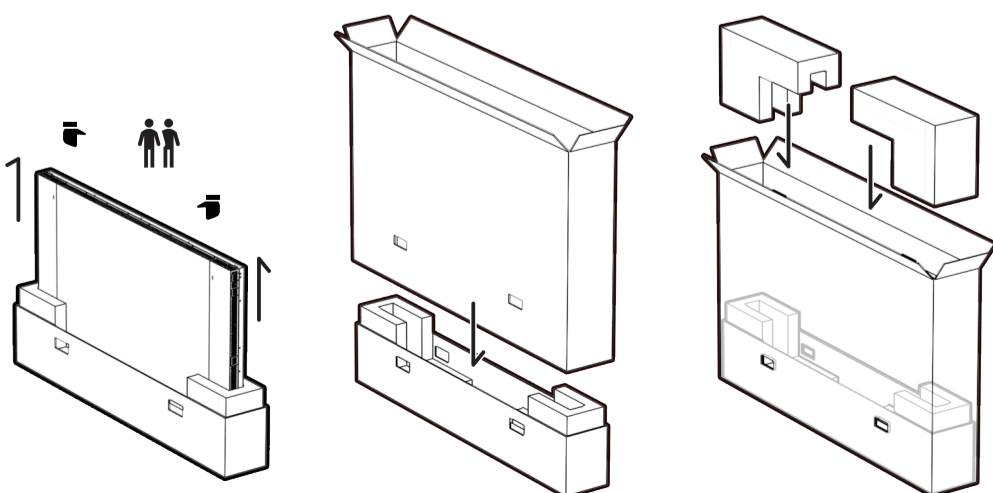
1



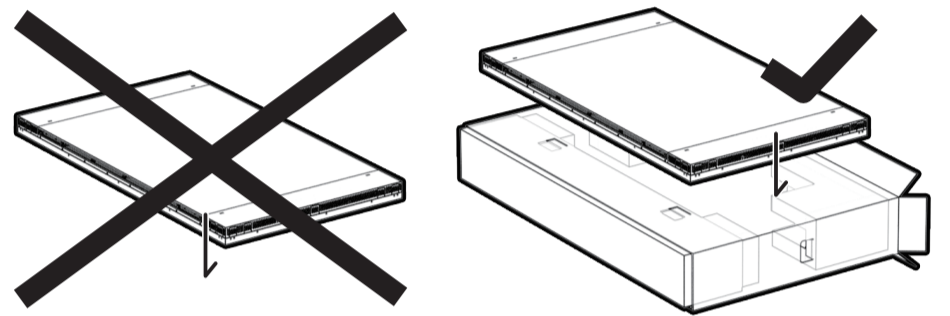
2



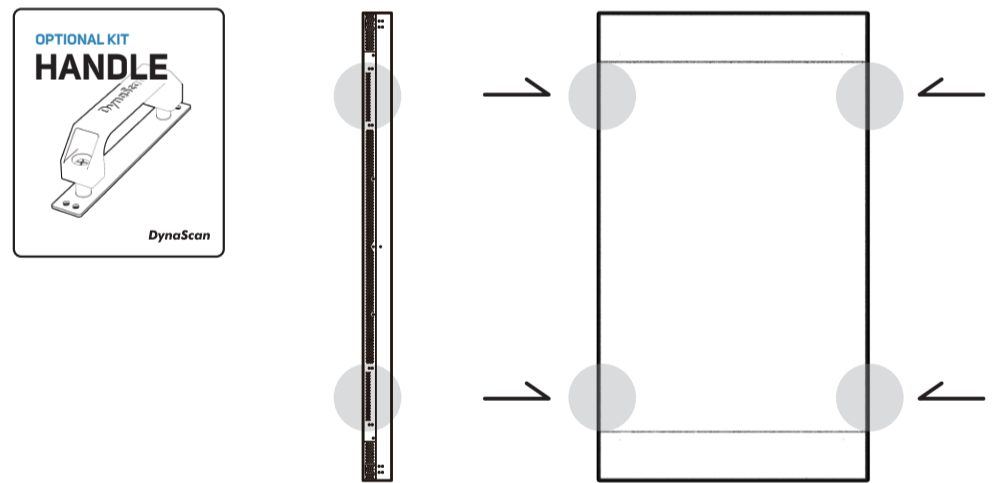
3



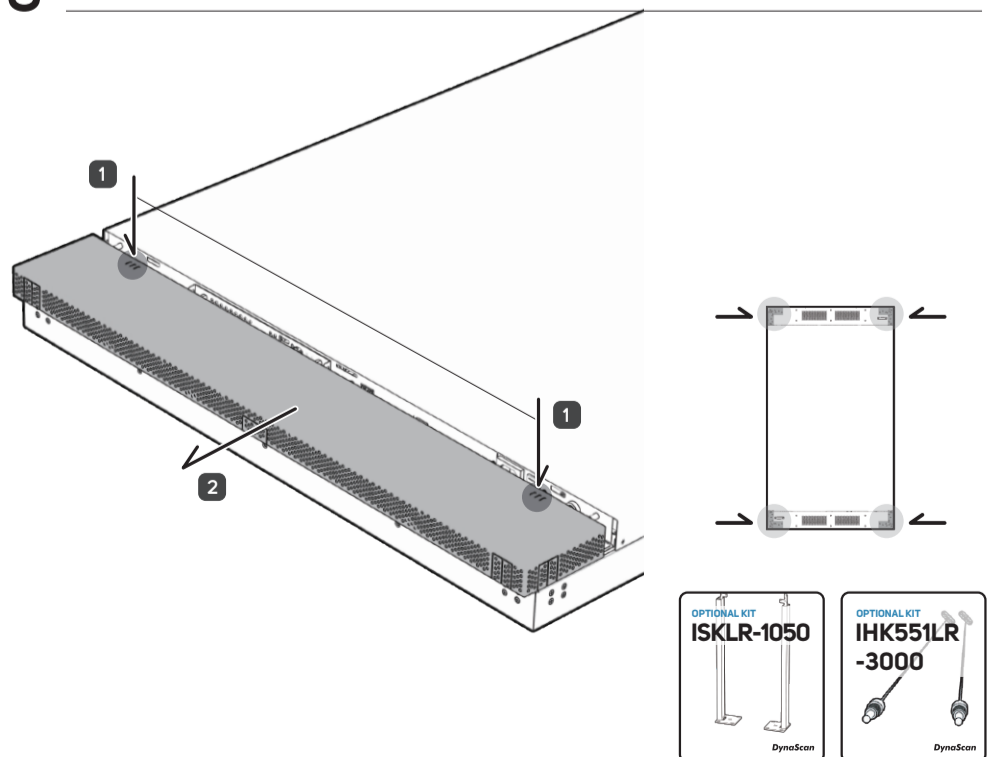
4



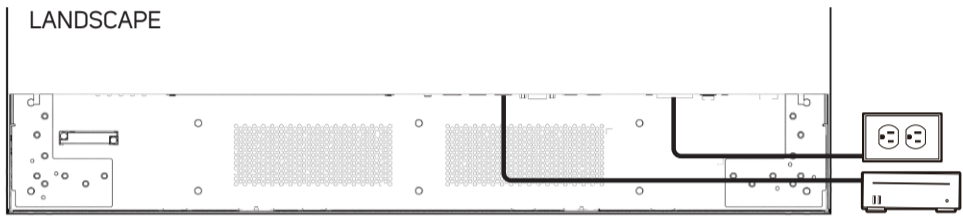
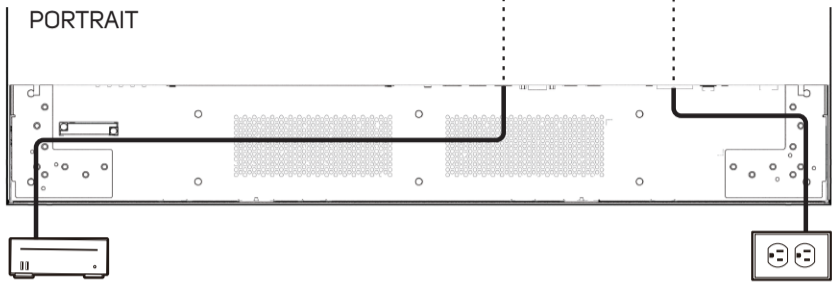
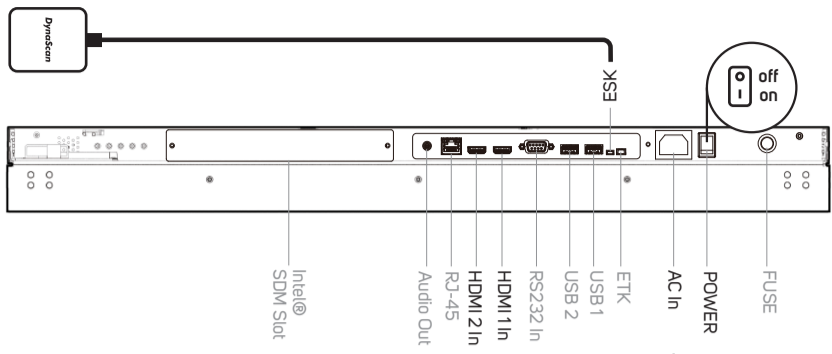
5



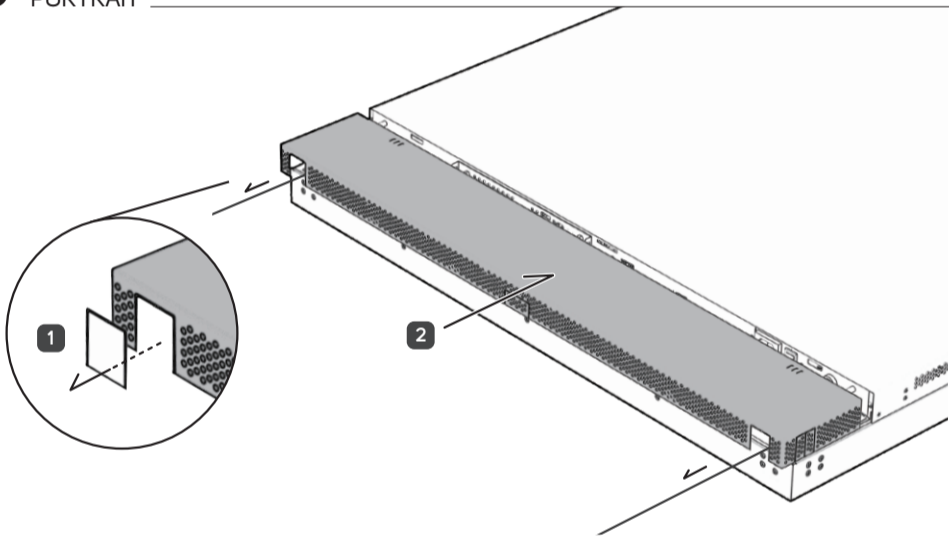
6



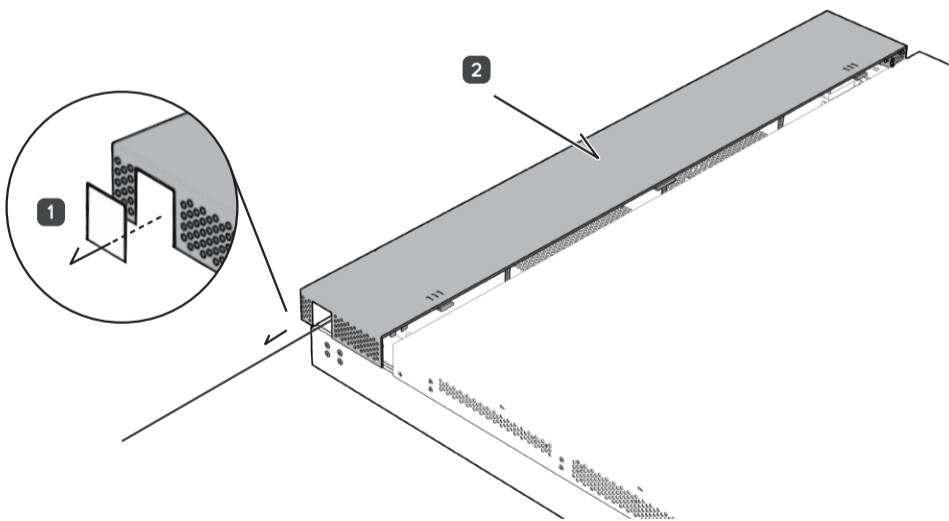
7



8 PORTRAIT



LANDSCAPE



9

