

QUICK START GUIDE

86" 3500 nits Ultra-High Brightness Digital Signage Display

Copyright © DynaScan Technology Inc. All rights reserved.



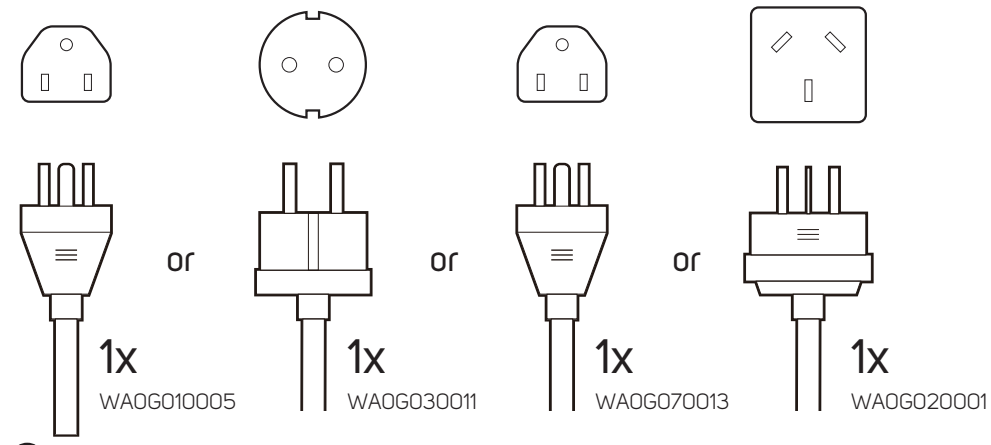
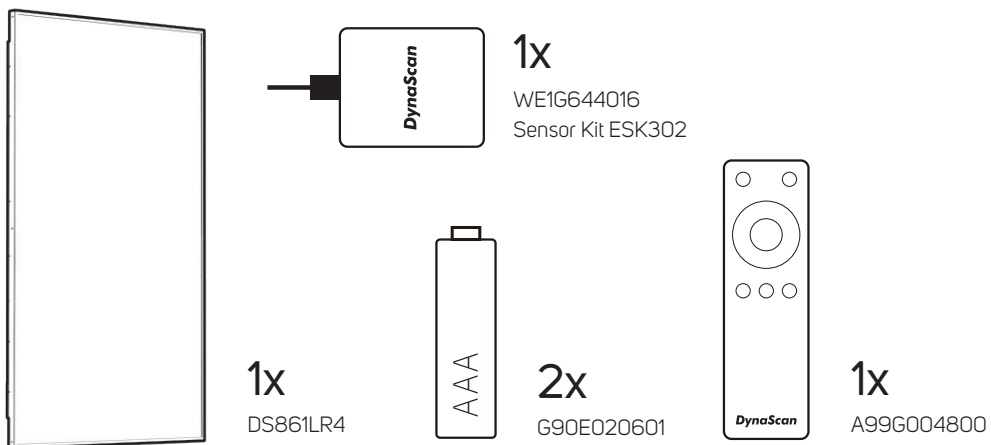
WARRANTY POLICY

Please visit our website to get more information.
<http://www.dynascandisplay.com/support/warranty/>

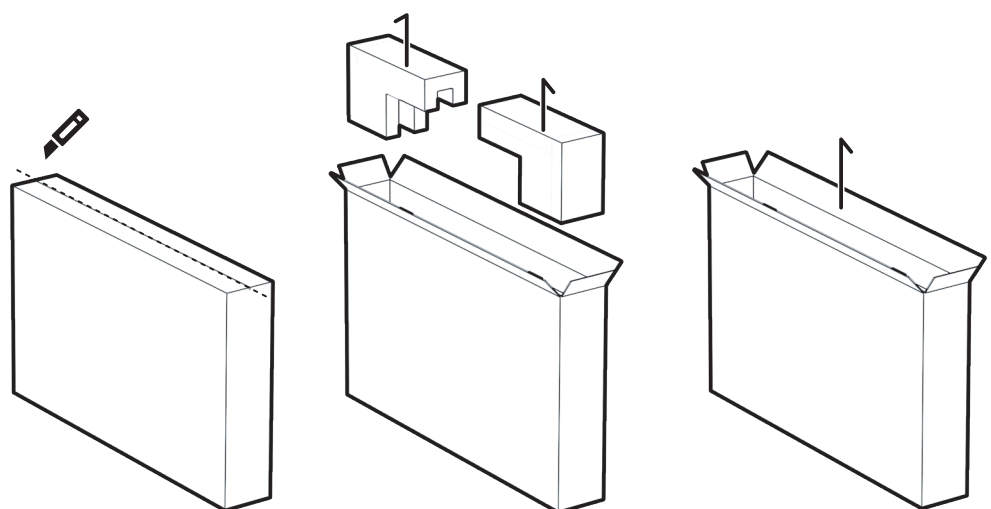
DynaScan

A1G034402 V1.30

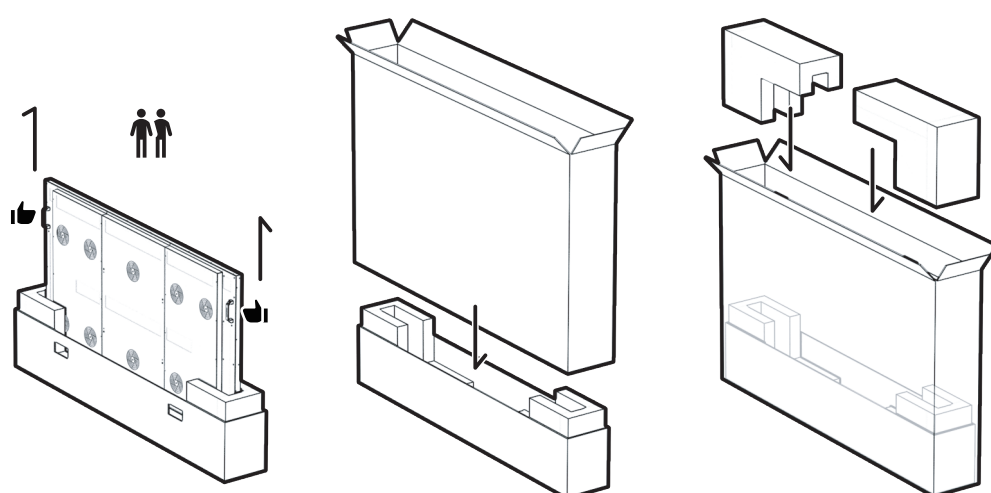
1



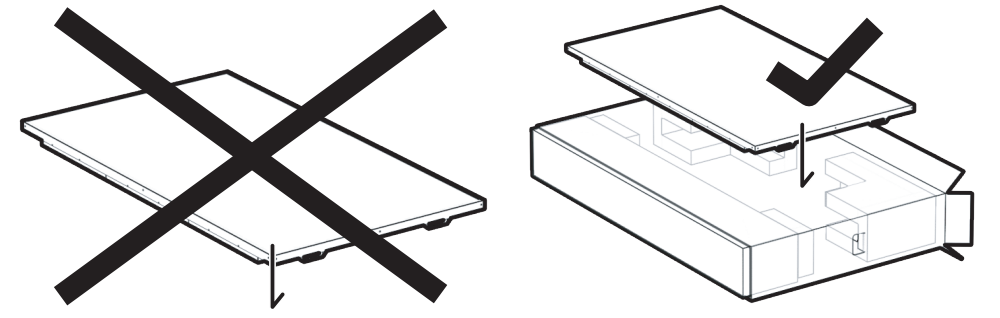
2



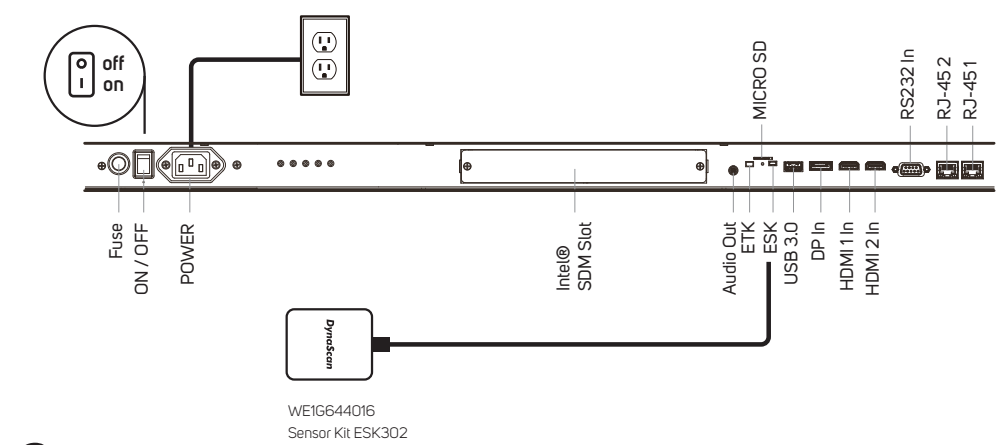
3



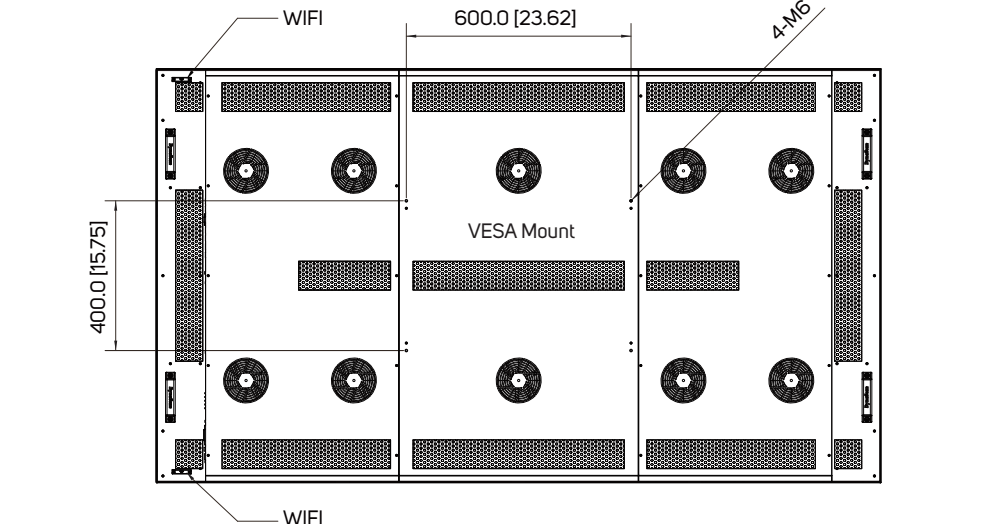
4



5



6



7

