

QUICK START GUIDE

75" Ultra HD High Brightness 4,000 nits Digital Signage

Copyright © DynaScan Technology Inc. All rights reserved.



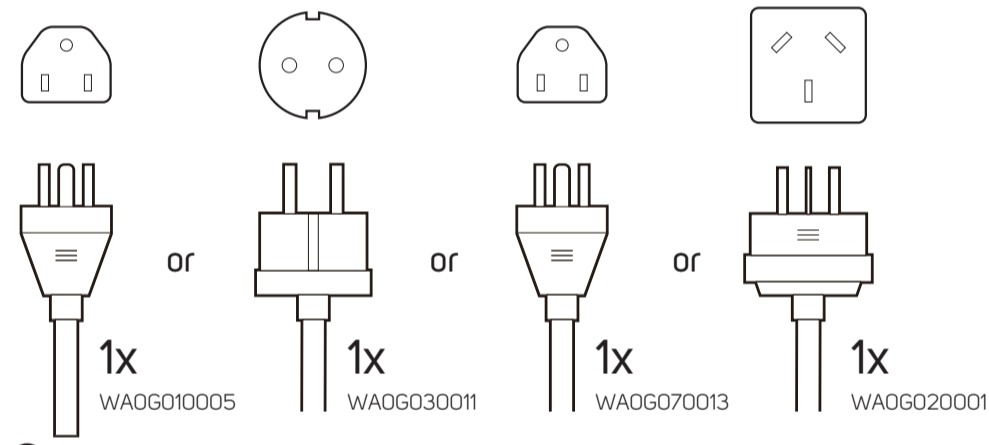
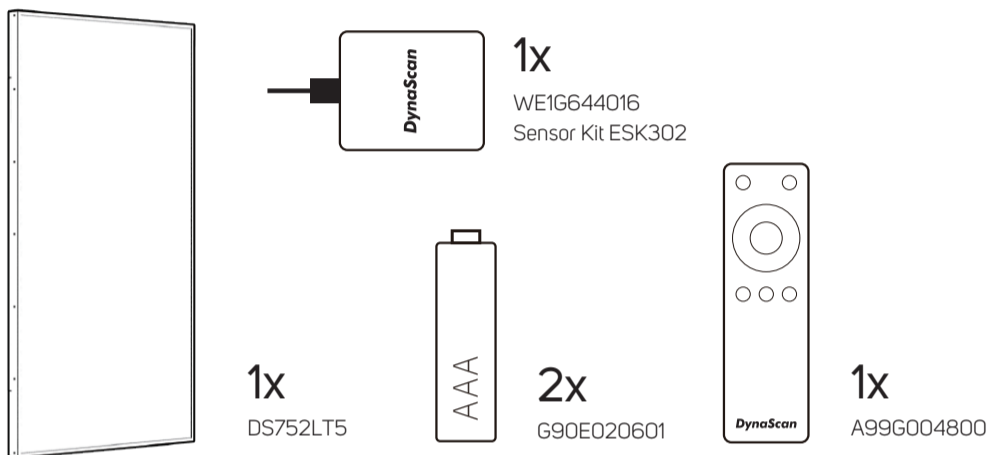
WARRANTY POLICY

Please visit our website to get more information.
<http://www.dynascan.com/support/warranty/>

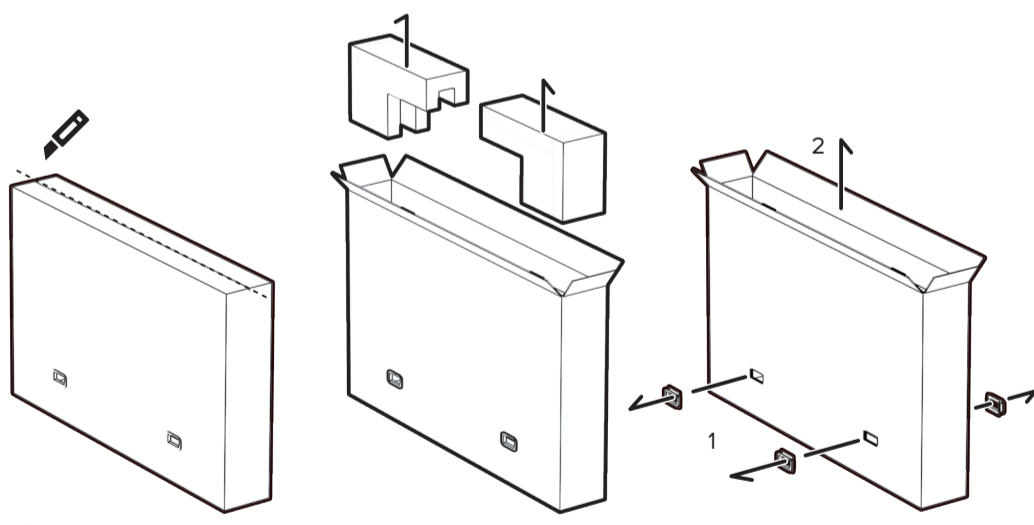
DynaScan

A11G031102 V110

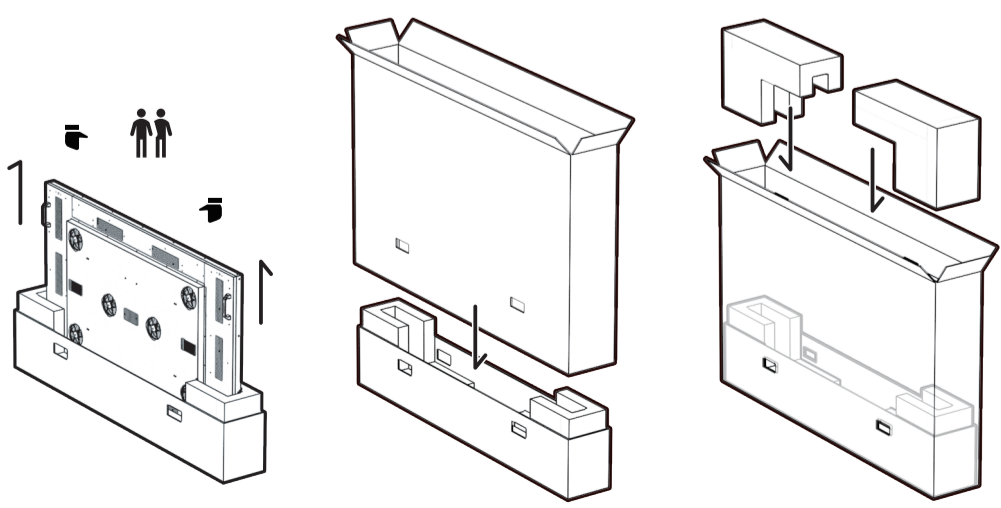
1



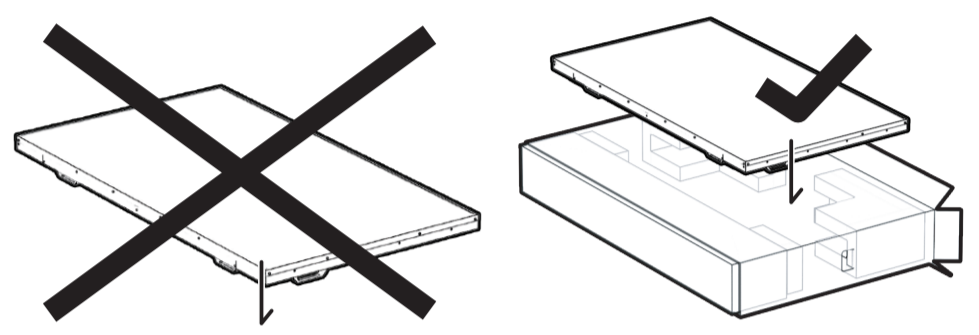
2



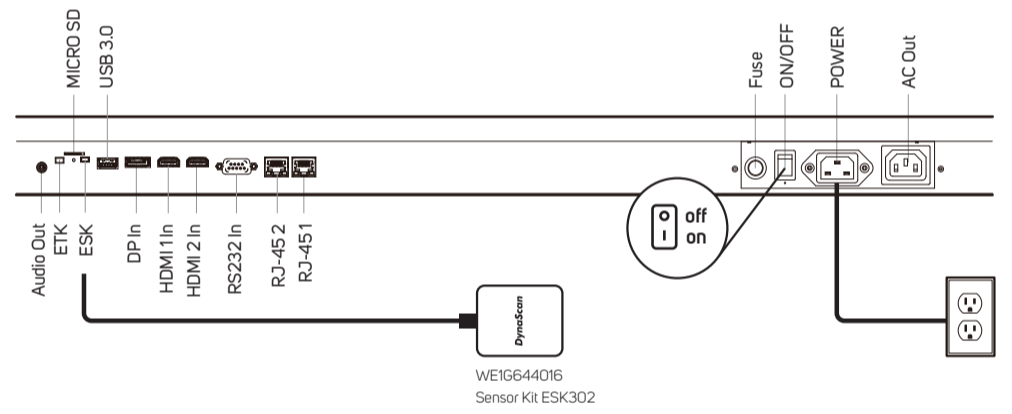
3



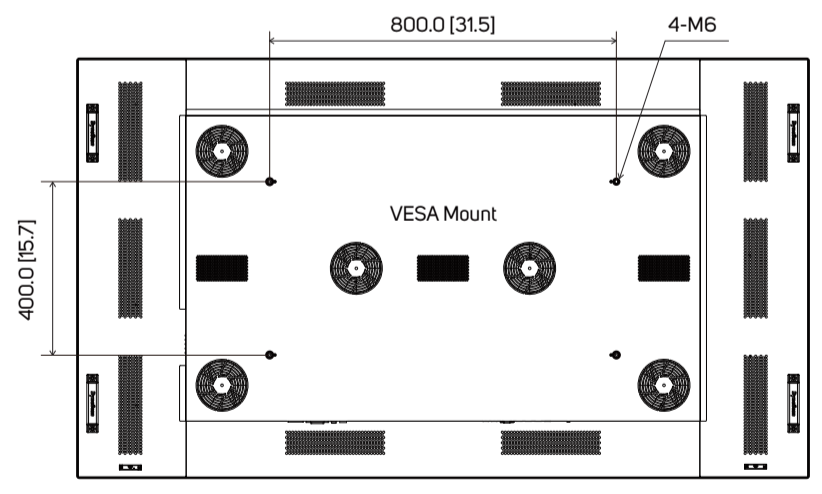
4



5



6



7

