

# QUICK START GUIDE

75" Ultra HD High Brightness 4,000 Nits Digital Signage

Copyright © DynaScan Technology Inc. All rights reserved.



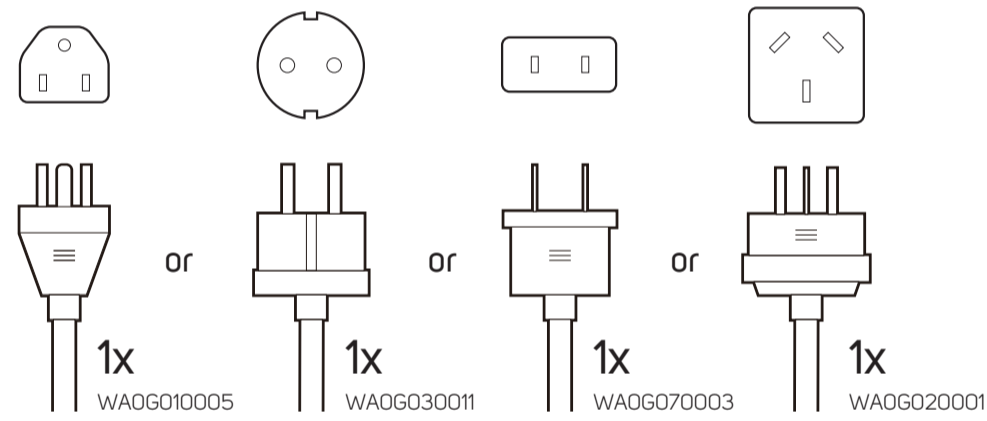
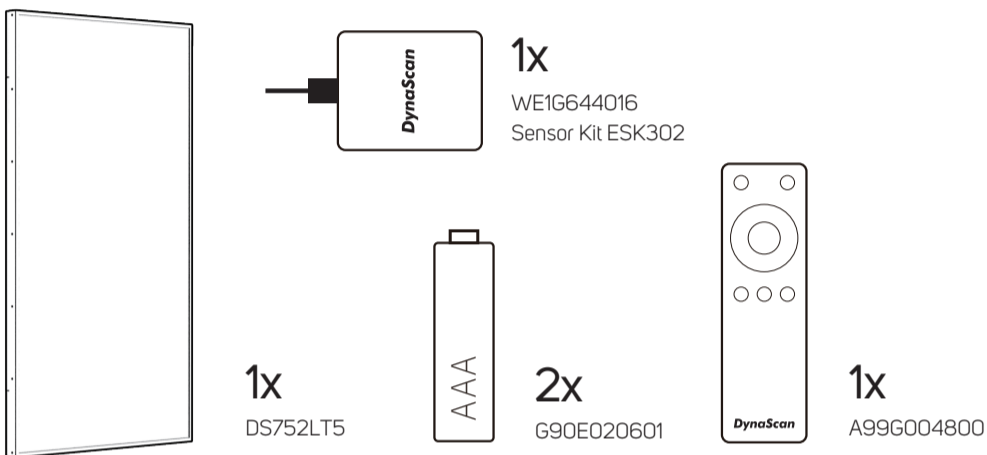
### WARRANTY POLICY

Please visit our website to get more information.  
<http://www.dynascandisplay.com/support/warranty/>

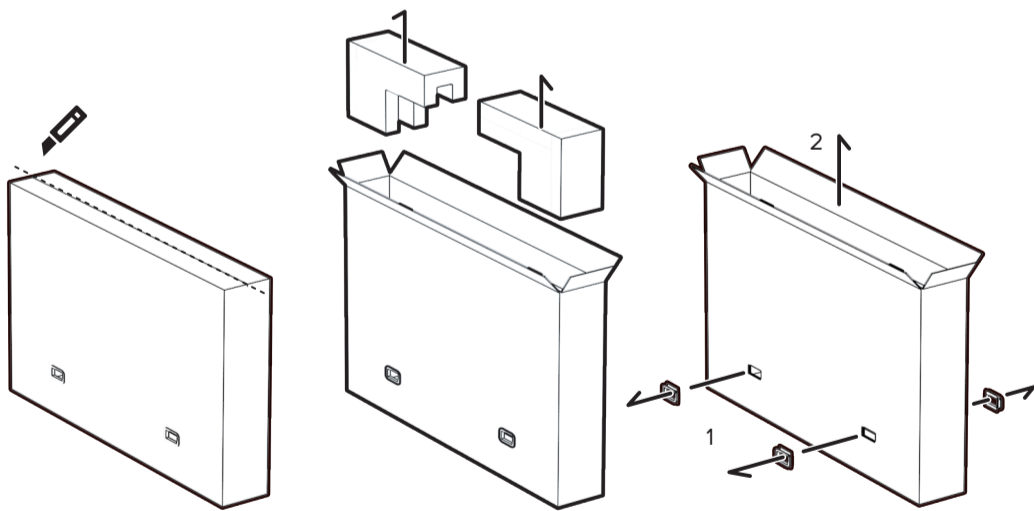
# DynaScan

V1.02

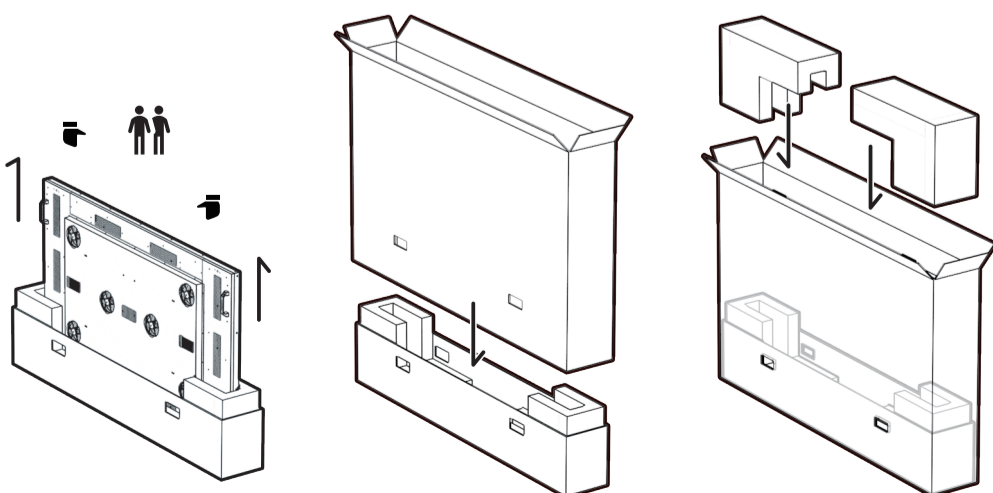
1



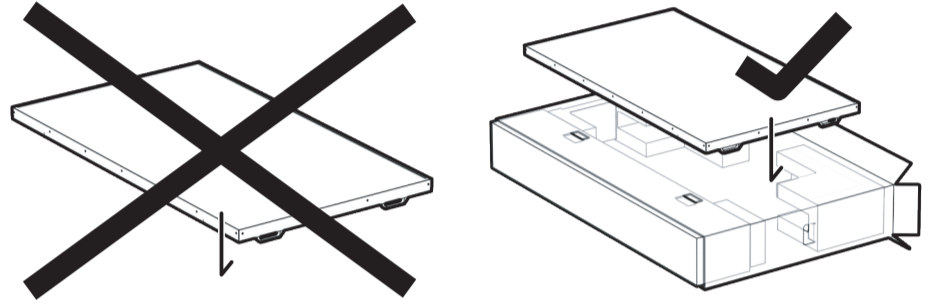
2



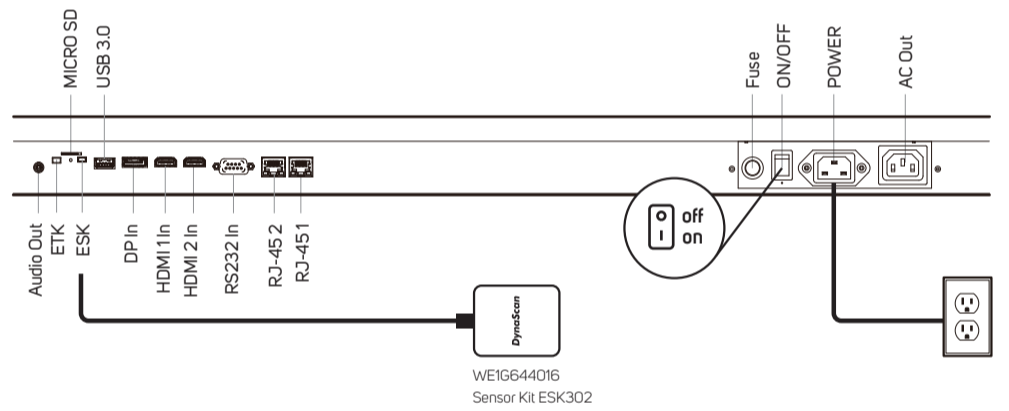
3



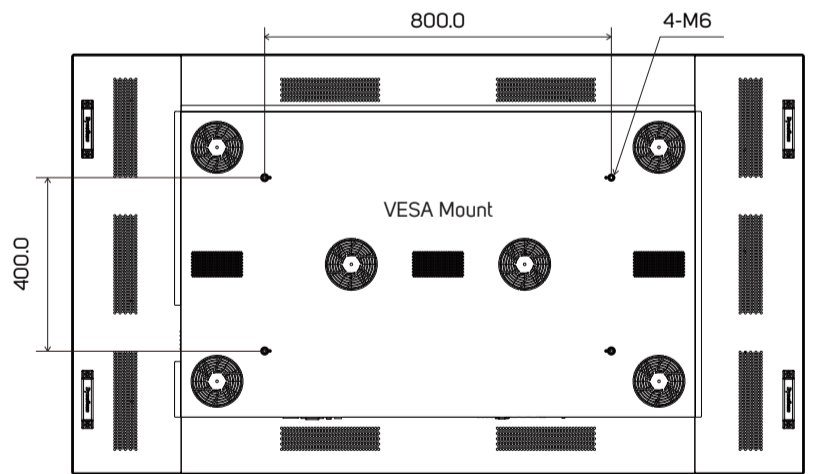
4



5



6



7

