

QUICK START GUIDE

65" 4,000 nits High Brightness Digital Signage

Copyright © DynaScan Technology Inc. All rights reserved.



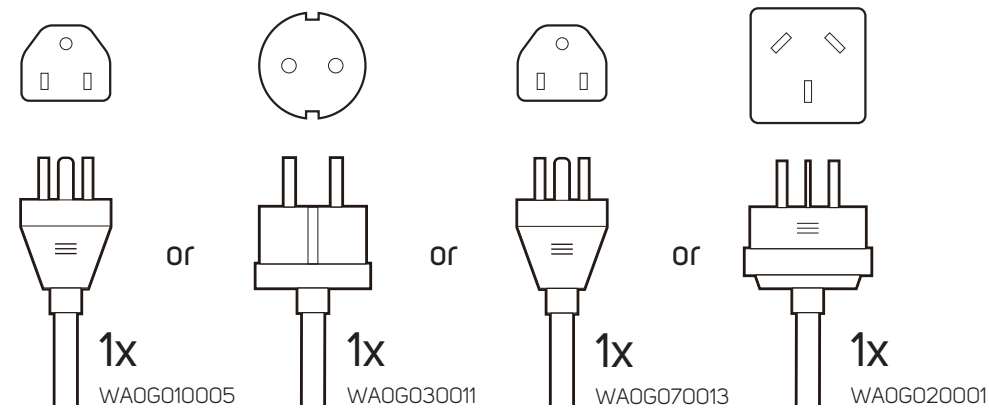
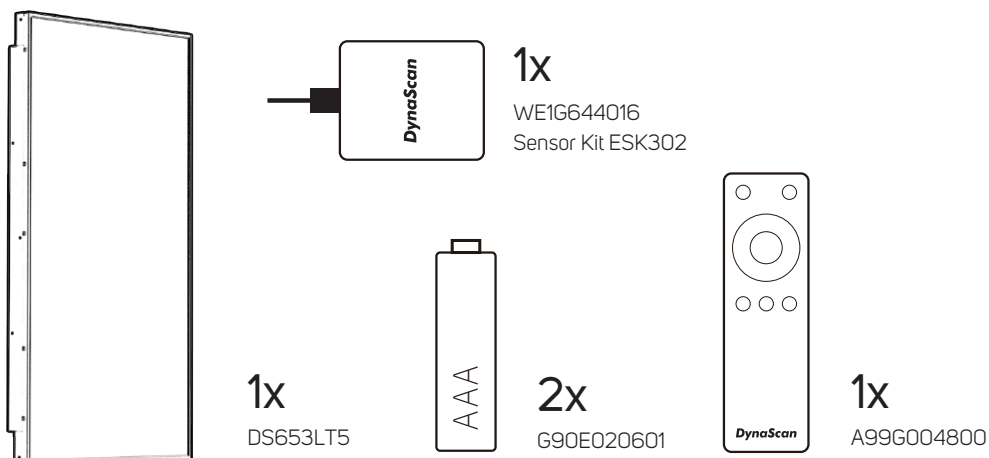
WARRANTY POLICY

Please visit our website to get more information.
<http://www.dynascandisplay.com/support/warranty/>

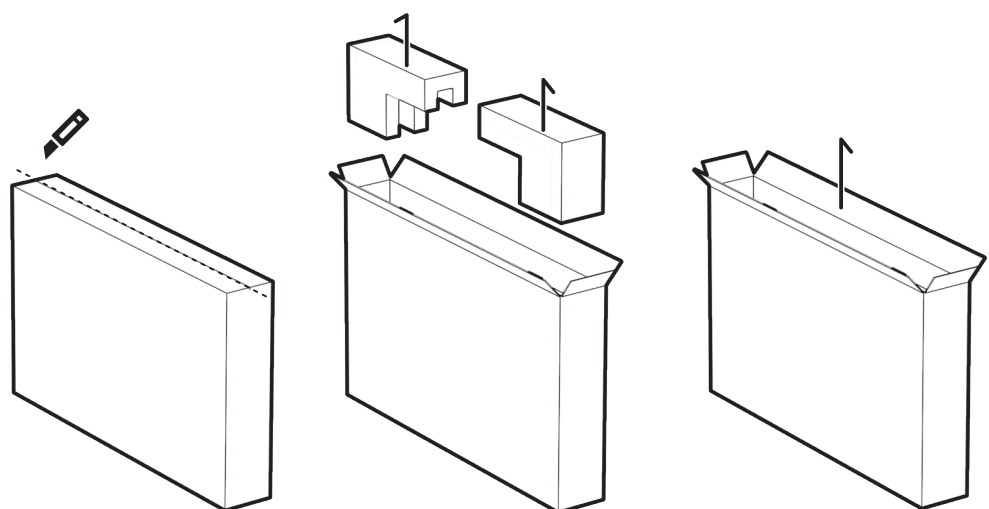
DynaScan

A11G032802 V1.20

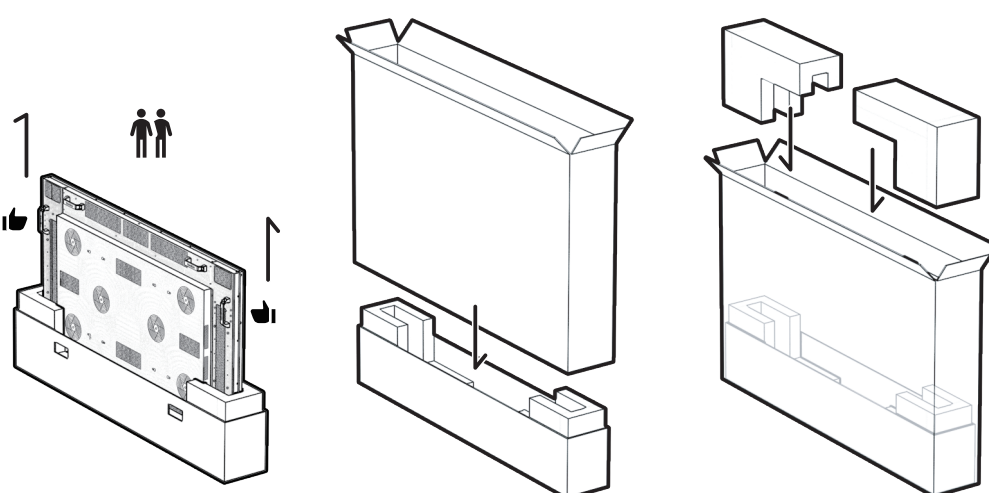
1



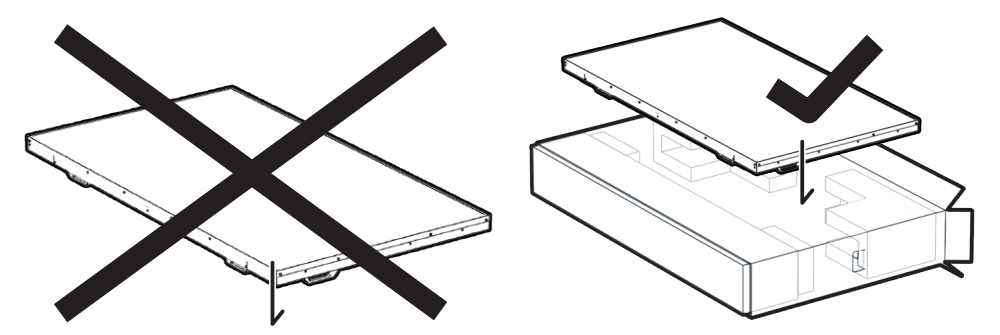
2



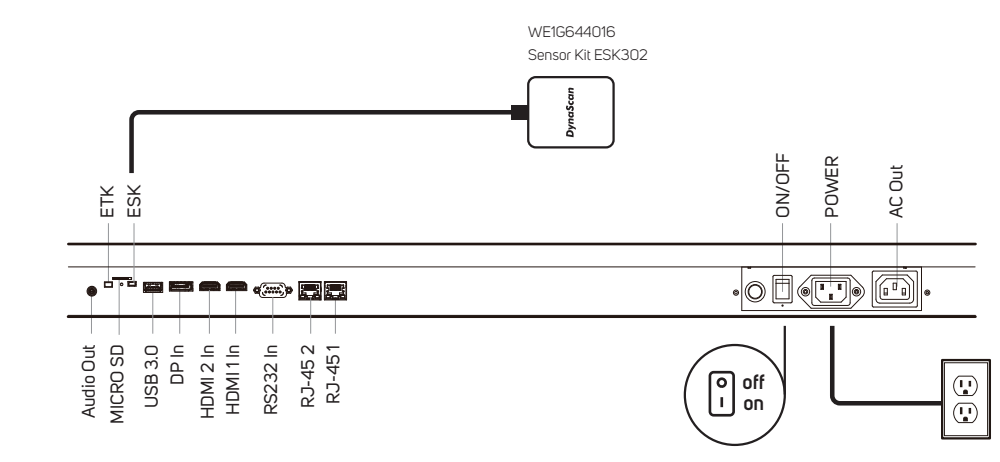
3



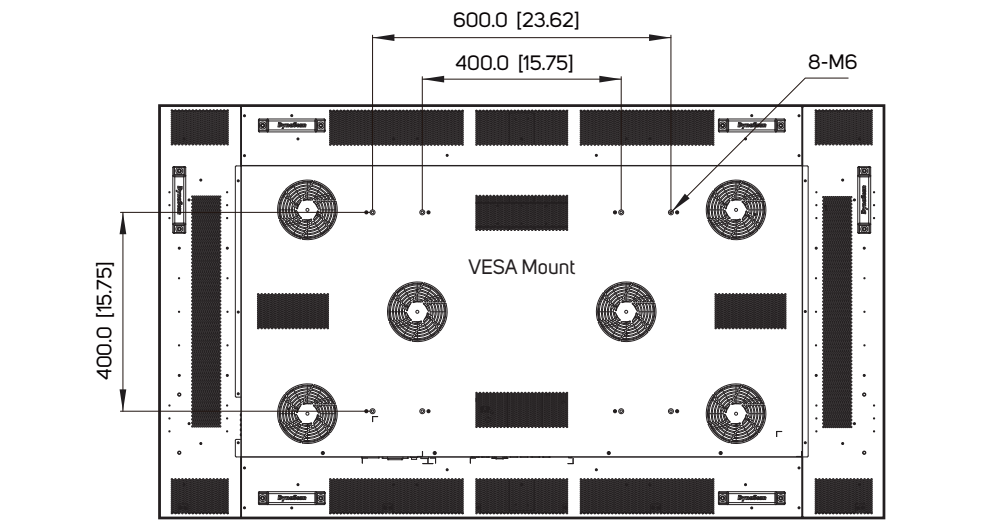
4



5



6



7

