

# QUICK START GUIDE

55" Fanless High Brightness Digital Signage



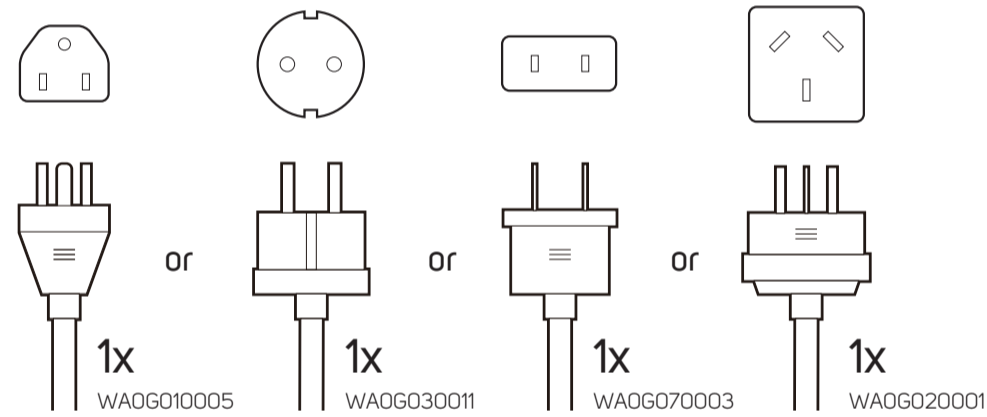
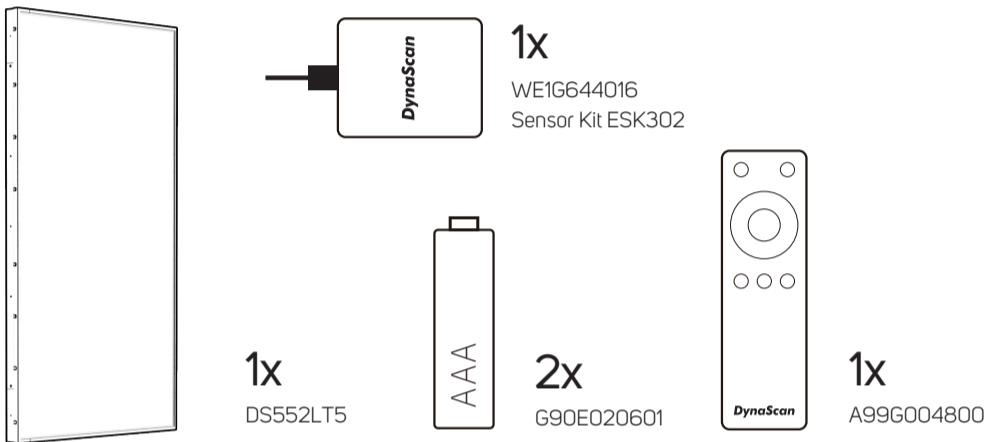
**WARRANTY POLICY**

Please visit our website to get more information.  
<http://www.dynascandisplay.com/support/warranty/>

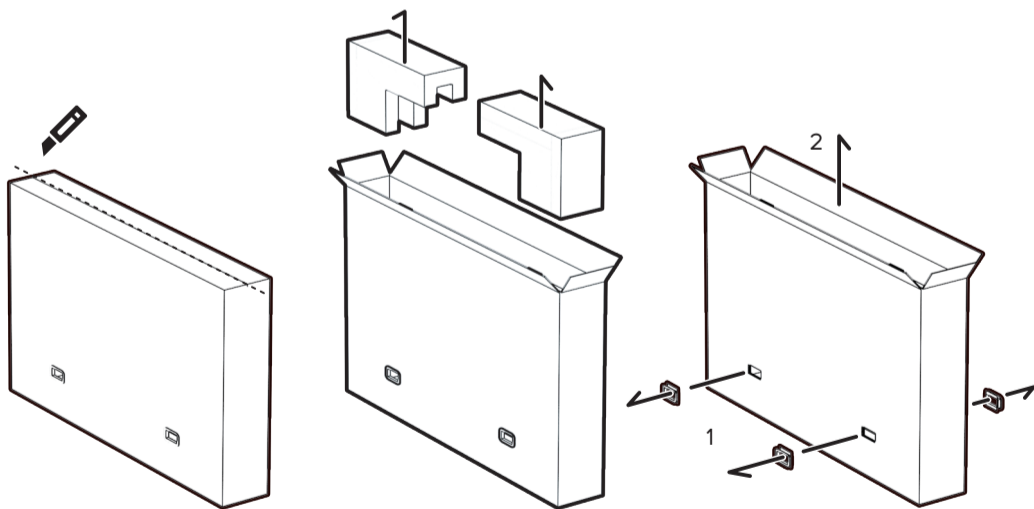
**DynaScan**

V1.01

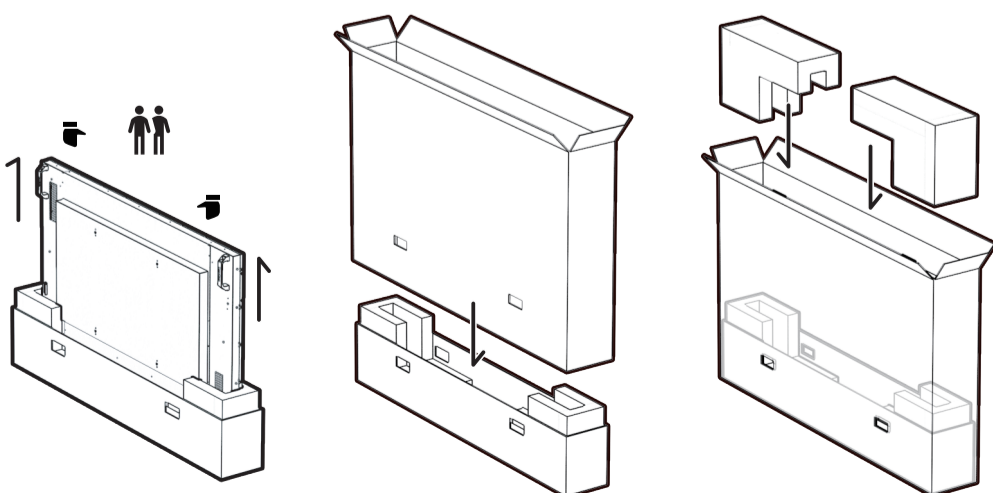
1



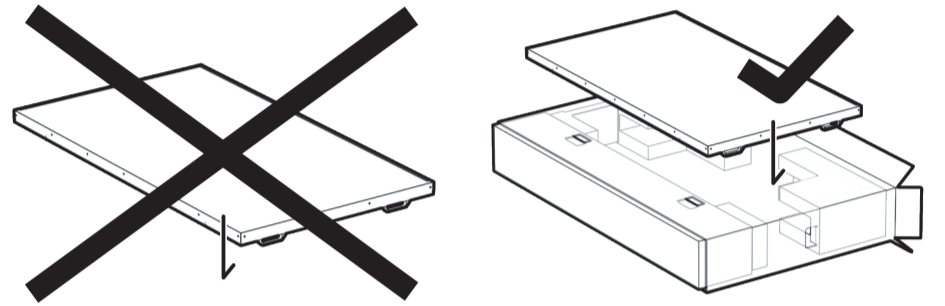
2



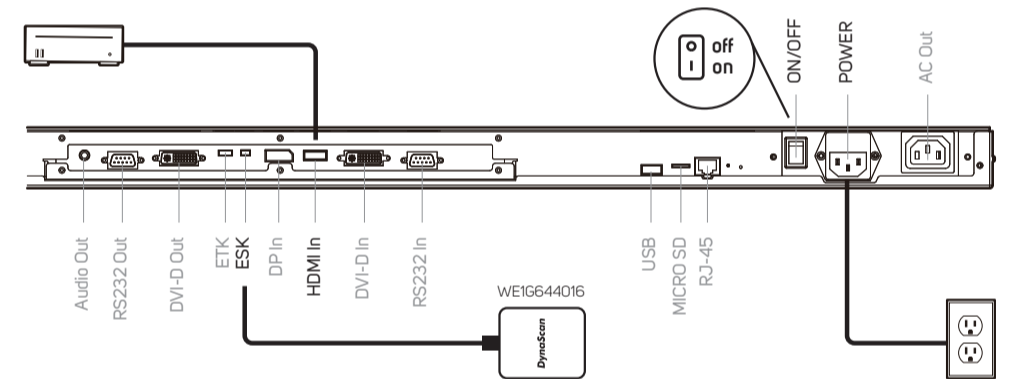
3



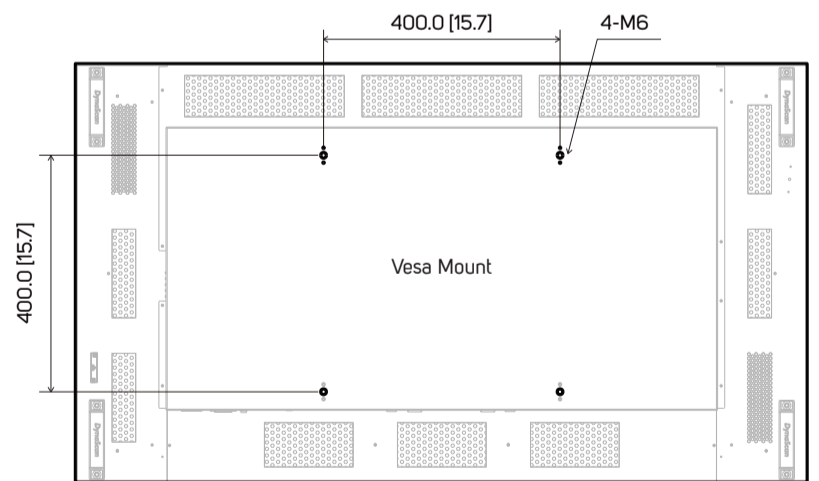
4



5



6



7

