

QUICK START GUIDE

32" 2,500 nits High Brightness Digital Signage

Copyright © DynaScan Technology Inc. All rights reserved.



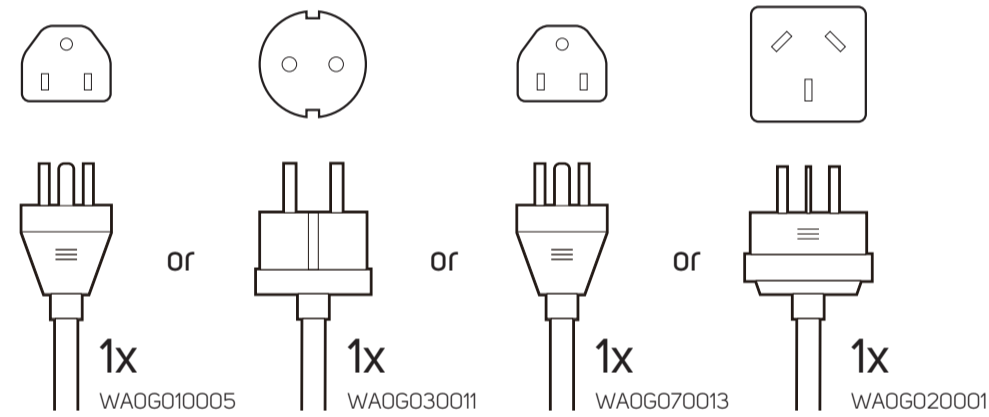
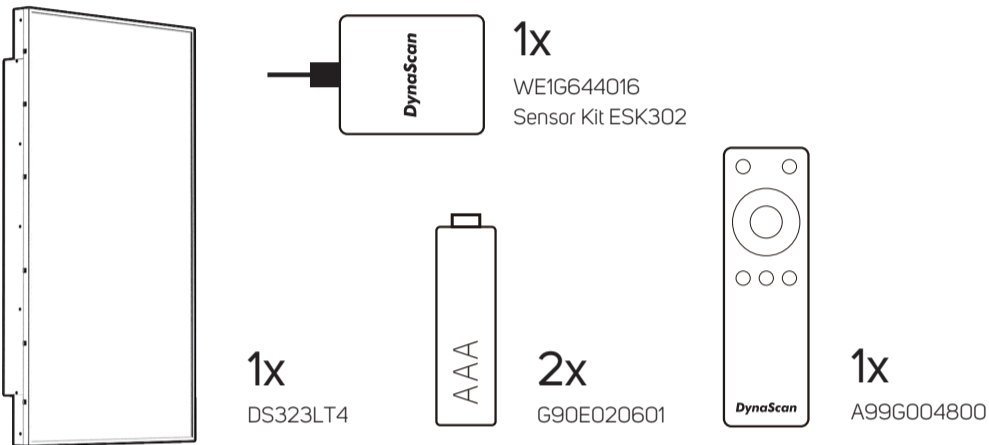
WARRANTY POLICY

Please visit our website to get more information.
<http://www.dynascan.com/support/warranty/>

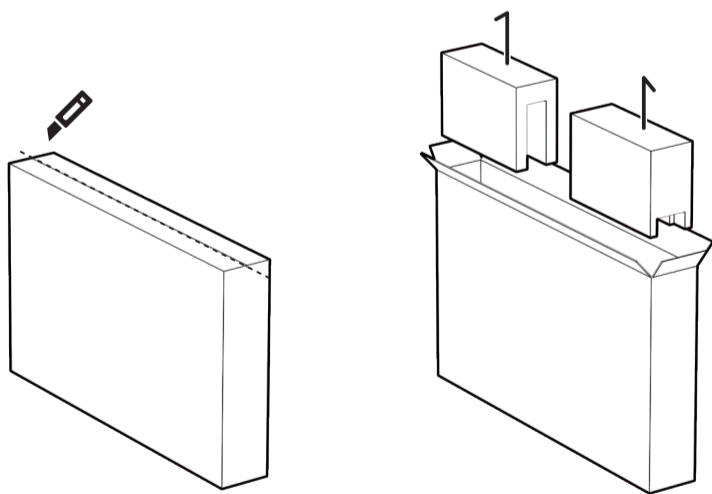
DynaScan

A1G033503 V1.30

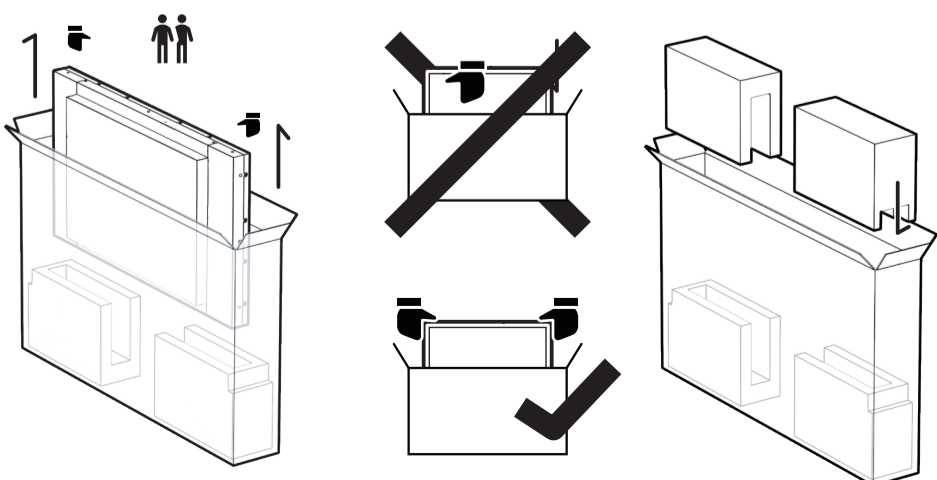
1



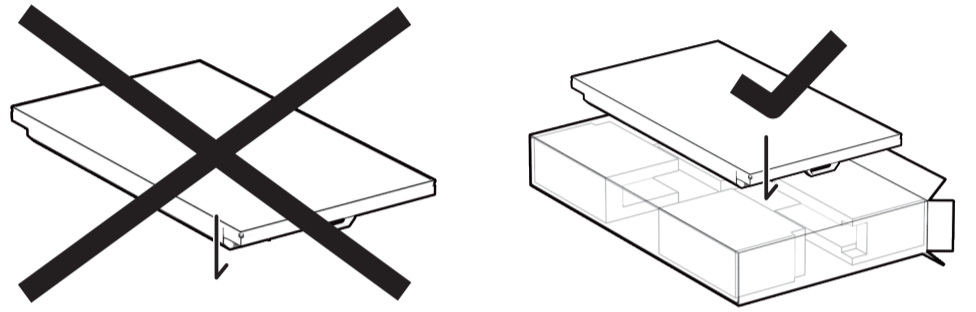
2



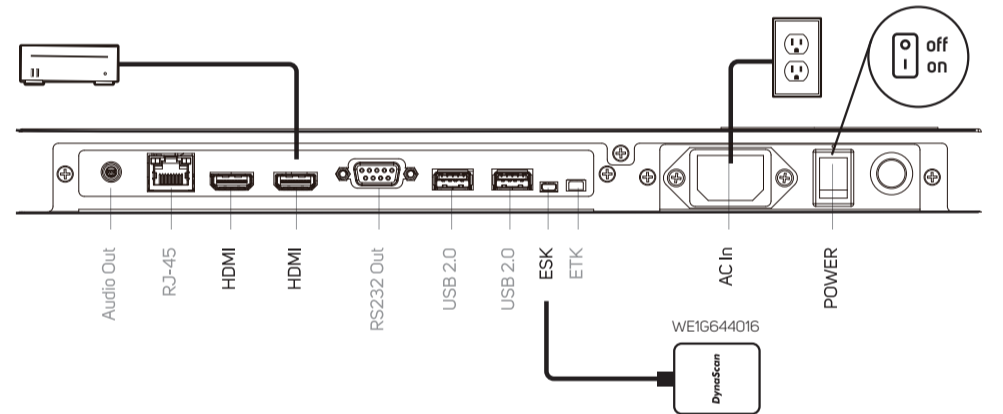
3



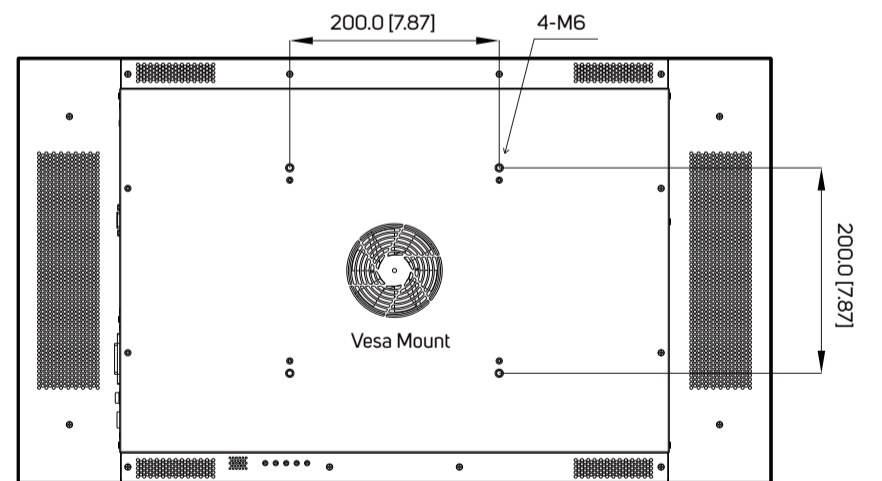
4



5



6



7

