

QUICK START GUIDE

100" Fanless UHD 4K Premium Indoor LCD

Intel® SDM Ready

Copyright © DynaScan Technology Inc. All rights reserved.



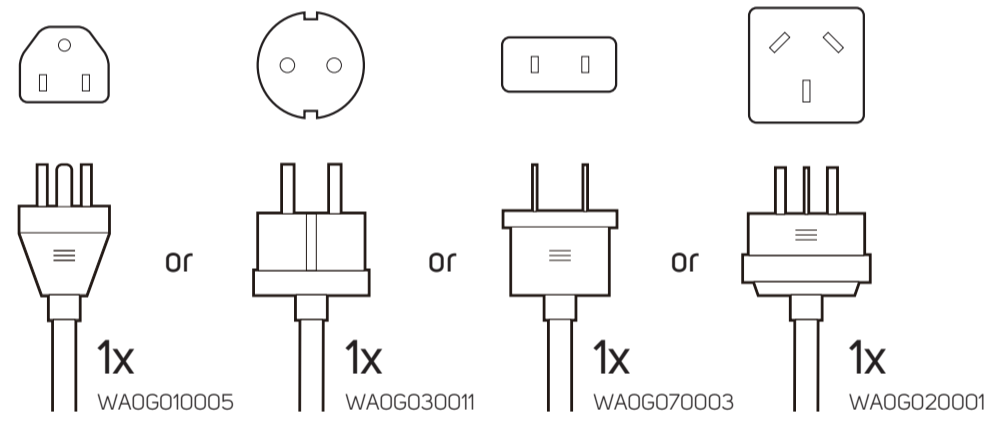
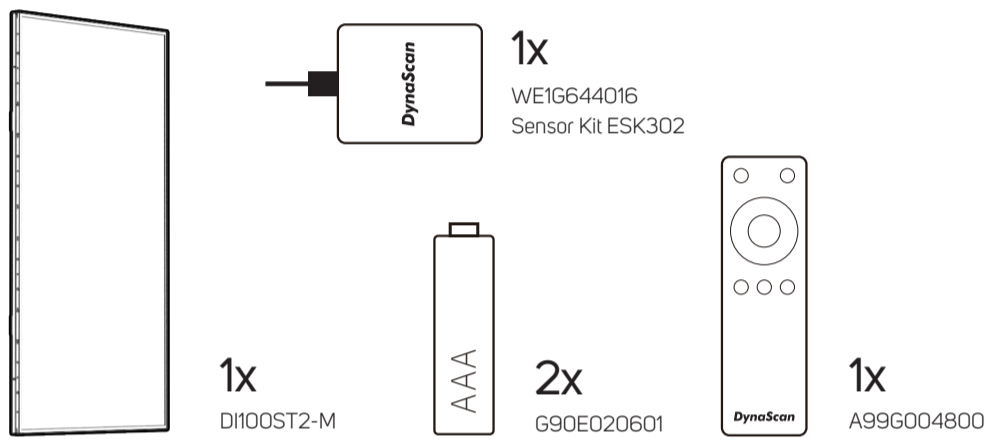
WARRANTY POLICY

Please visit our website to get more information.
<http://www.dynascandisplay.com/support/warranty/>

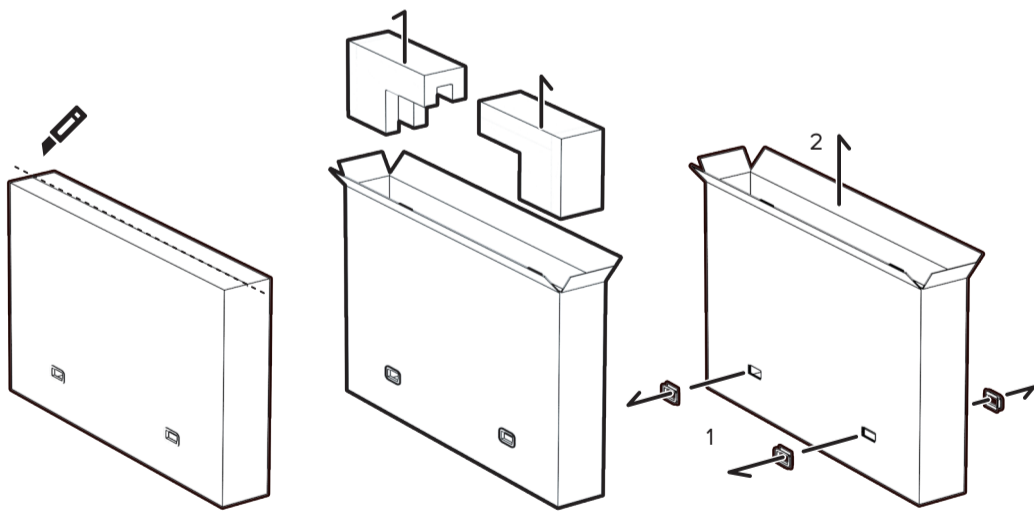
DynaScan

V2.10

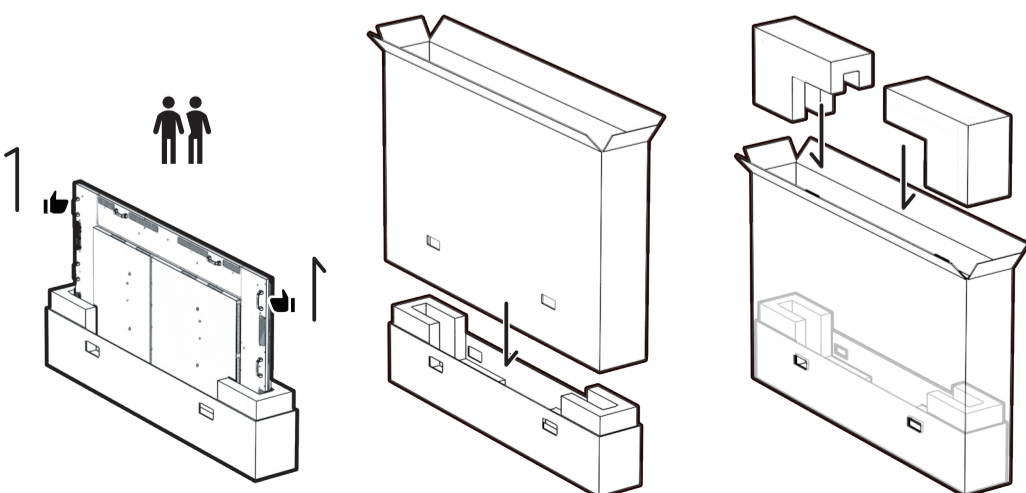
1



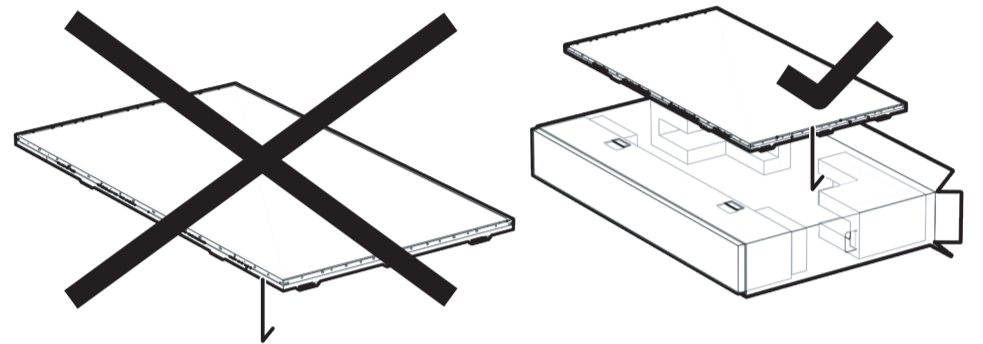
2



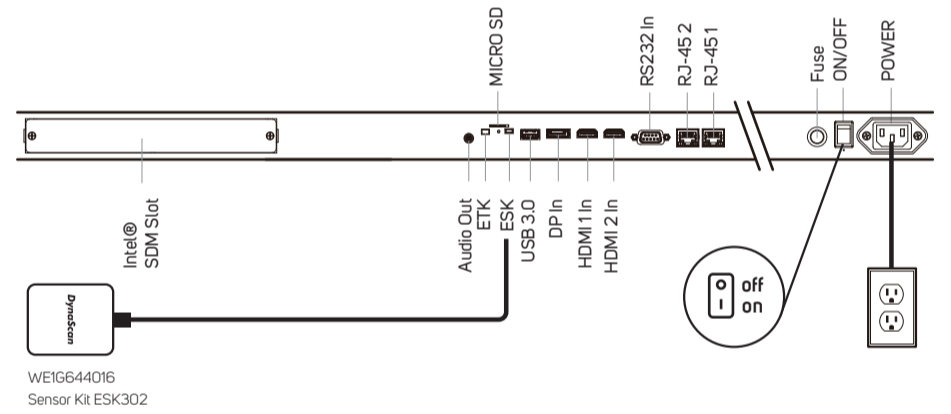
3



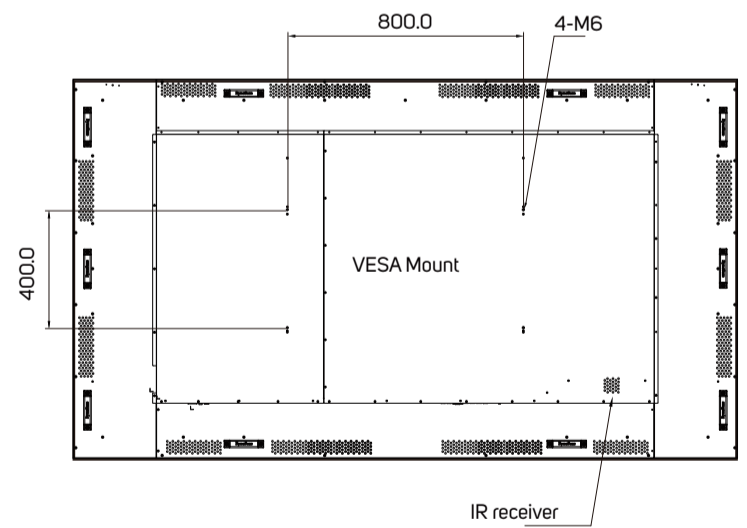
4



5



6



7

